

## Technical Data Sheet G Series

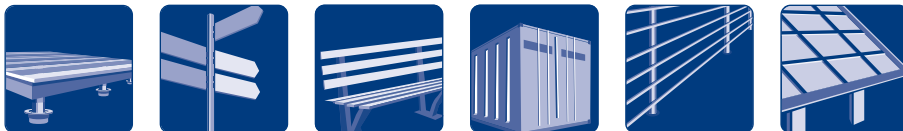
### Basic Info

KSF G 89x1300-4xM12	KSF G 89x1000-4xM12	KSF G 89x800-4xM12
Nominal length (mm)		
1300	1000	800
Tube diameter (mm)		
88.90	88.90	88.90
Weight (kg)		
7.80	6.60	5.80
Item number		
25459	25458	25457

### Construction

- Nut: DIN EN ISO 4032 - 8
- Continuous welded helix
- Coating: Hot-dip galvanized according to DIN EN ISO 1461

### Applications



### Accessories



Special  
Granulate 1500 g  
Item No. 21824



Special  
Granulate 500 g  
Item No. 21823



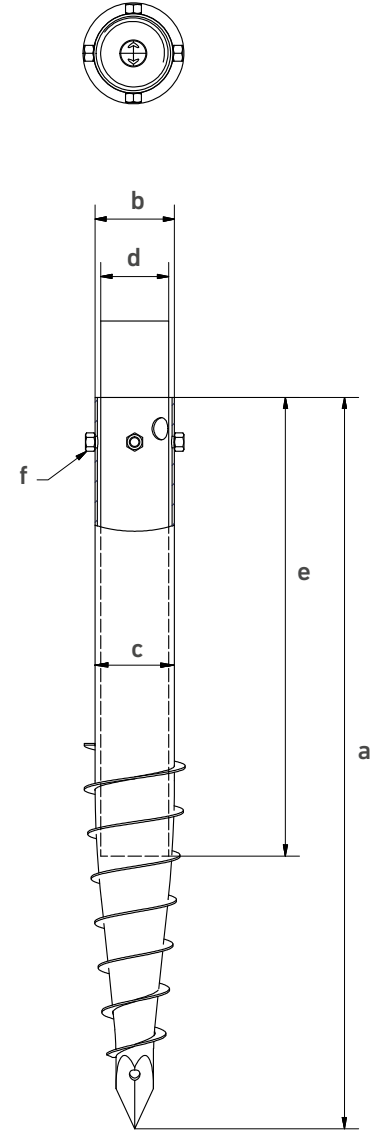
Screwing Bar long  
2.40 kg  
Item No. 24805



KSF G 89x  
1300-4xM12

### Technical Data

	KSF G 89x1300-4xM12	KSF G 89x1000-4xM12	KSF G 89x800-4xM12
<b>a</b>	Length (mm) ( $\pm 25$ mm)		
	1280	1080	830
<b>b</b>	Shaft outer diameter (mm)		
	88.90	88.90	88.90
<b>c</b>	Inner diameter (mm)		
	83.70	83.70	83.70
<b>d</b>	Diameter setting (mm)		
	76   40x60   60   48	76   40x60   60   48	76   40x60   60   48
<b>e</b>	Depth setting (mm) ( $\pm 25$ mm)		
	970   1020   1055   1090	780   830   855   900	520   570   600   640
<b>f</b>	Thread		
	4 x M12	4 x M12	4 x M12



### Online Service

KSF G 89x1300-4xM12	KSF G 89x1000-4xM12	KSF G 89x800-4xM12
---------------------	---------------------	--------------------

Webkey

G2545911D



G2545811D



G2545711D



Subject to technical change!

Krinner Schraubfundamente GmbH | Passauer Straße 55 | D-94342 Straßkirchen  
 Phone: +49 9424 9401-80 | E-Mail: service@krinner.com | www.krinner.com