

## Technical Data Sheet E Series

### Basic Info

KSF E 140x2100- E76-100	KSF E 140x1600- E76-100	KSF E 140x1300- E76-100
Nominal length (mm)		
2100	1600	1300
Tube diameter (mm)		
139.70	139.70	139.70
Weight (kg)		
23.50	18.50	15.00
Item number		
25500	26160	25502



KSF E 140x1300-  
E76-100

### Construction

- Flange: GP240GH
- Coating: Hot-dip galvanized according to DIN EN ISO 1461
- Continuous welded helix

### Applications



### Accessories



Excenter Set-E76  
Item No. 26810



Excenter Set-E80  
Item No. 26814



Excenter Set-E90  
Item No. 26813



Excenter Set-E100  
Item No. 26809



Reducer-E76-E60  
Item No. 26821



Reducer-E76-E70  
Item No. 26822



Cover Plate  
2 mm-E76-100  
Item No. 26819



Cover Plate  
8 mm-E76-100  
Item No. 26829



Attachment  
Screw-E76-100  
Item No. 21837



Countersunk-E76-100  
Item No. 26830

Subject to technical change!

Krinner Schraubfundamente GmbH | Passauer Straße 55 | D-94342 Straßkirchen  
Phone: +49 9424 9401-80 | E-Mail: service@krinner.com | www.krinner.com

efficient · no concrete · durable

## Technical Data

	KSF E 140x2100- E76-100	KSF E 140x1600- E76-100	KSF E 140x1300- E76-100
<b>a</b> Length (mm) ( $\pm 25$ mm)	2110	1640	1310
<b>b</b> Outer diameter (mm)	139.70	139.70	139.70
<b>c</b> Inner diameter (mm)	132.50	132.50	132.50
<b>d</b> Diameter setting* (mm)	100   90   80   76**	100   90   80   76**	100   90   80   76**
<b>e</b> Depth setting (mm) ( $\pm 25$ mm)	975   1010   1040   1040	730   775   810   810	565   630   650   650
<b>f</b> Thread	3 x M12	3 x M12	3 x M12
<b>g</b> Pitch circle diameter (mm)	192	192	192
<b>h</b> Flange outer diameter (mm)	220	220	220
<b>i</b> Flange thickness (mm)	14	14	14

\* The diameter setting (d) determines the depth setting (e)

\*\*Tip for installation: To adjust the depth setting, it is recommended to fill in ballast or insert an accessory plate

## Online Service

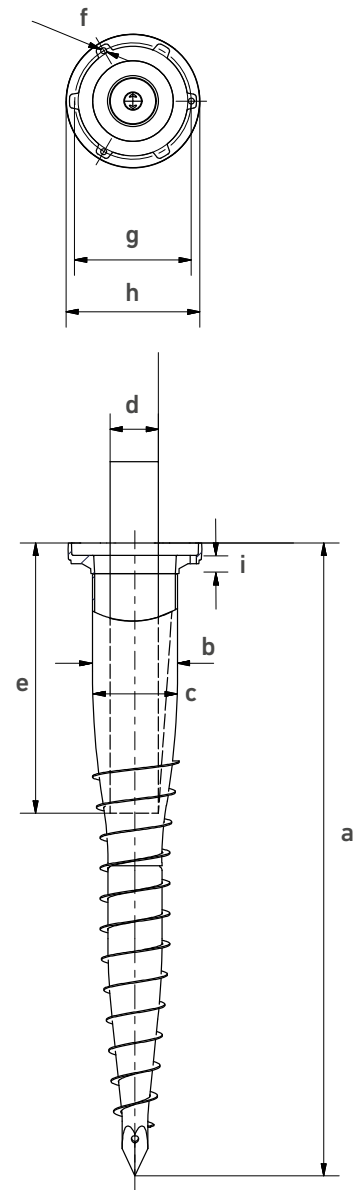
KSF E 140x2100- E76-100	KSF E 140x1600- E76-100	KSF E 140x1300- E76-100
----------------------------	----------------------------	----------------------------

Webkey

E2550011D

E2616011D

E2550211D



Subject to technical change!

Krinner Schraubfundamente GmbH | Passauer Straße 55 | D-94342 Straßkirchen  
Phone: +49 9424 9401-80 | E-Mail: service@krinner.com | www.krinner.com